

PRODUCT INFORMATION PACKET

Model No: 326TTFCA6082

Catalog No: GT3132

30 HP Close-Coupled Pump Motor, 3 phase, 1200 RPM, 230/460 V, 326JMV Frame, TEFC
JM Motors



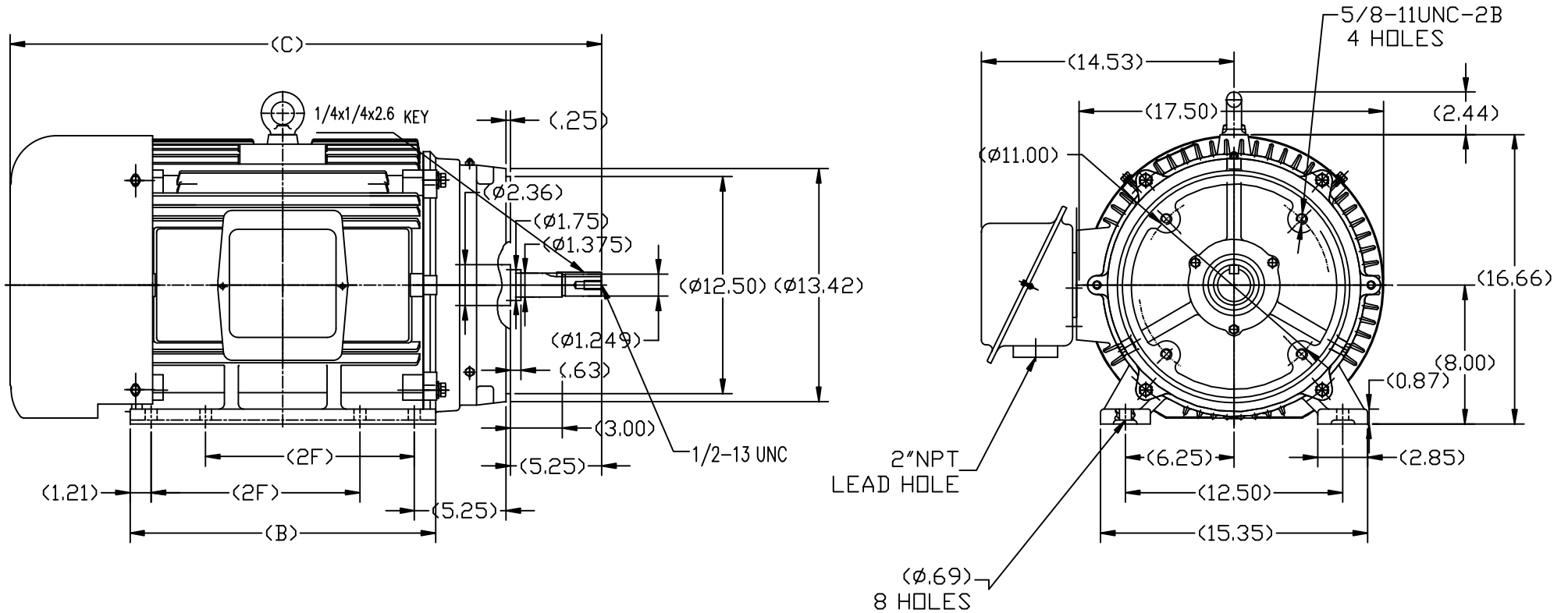
Nameplate Specifications

Output HP	30 Hp	Output KW	22.4 kW
Frequency	60 Hz	Voltage	230/460 V
Current	81.0/40.5 A	Speed	1190 rpm
Service Factor	1.15	Phase	3
Efficiency	93 %	Power Factor	75.5
Duty	Continuous	Insulation Class	F
Design Code	B	KVA Code	G
Frame	326JMV	Enclosure	Totally Enclosed Fan Cooled
Thermal Protection	No	Ambient Temperature	40 °C
Drive End Bearing Size	5312	Opp Drive End Bearing Size	6311
UL	Recognized	CSA	Y
CE	Y	IP Code	43

Technical Specifications

Electrical Type	Squirrel Cage Inverter Rated	Starting Method	Wye Start Delta Run Or Inverter
Poles	6	Rotation	Reversible
Resistance Main	.2269 Ohms	Mounting	Rigid Base
Motor Orientation	Horizontal Or Shaft Down	Drive End Bearing	Ball
Opp Drive End Bearing	Ball	Frame Material	Cast Iron
Shaft Type	JM	Overall Length	34.11 in
Shaft Diameter	1.250 in	Shaft Extension	5.25 in
Assembly/Box Mounting	F1/F2 CAPABLE		
Connection Drawing	EE7308AA	Outline Drawing	SS620566-326T

This is an uncontrolled document once printed or downloaded and is subject to change without notice. Date Created:03/11/2020

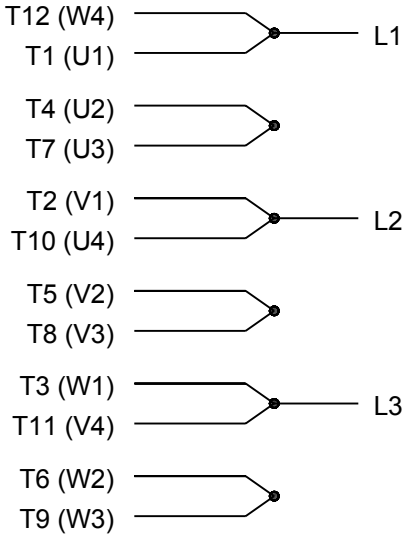


324T	32.93	16.38	10.50
326T	34.11	17.56	12.00
FRAME	C	B	2F

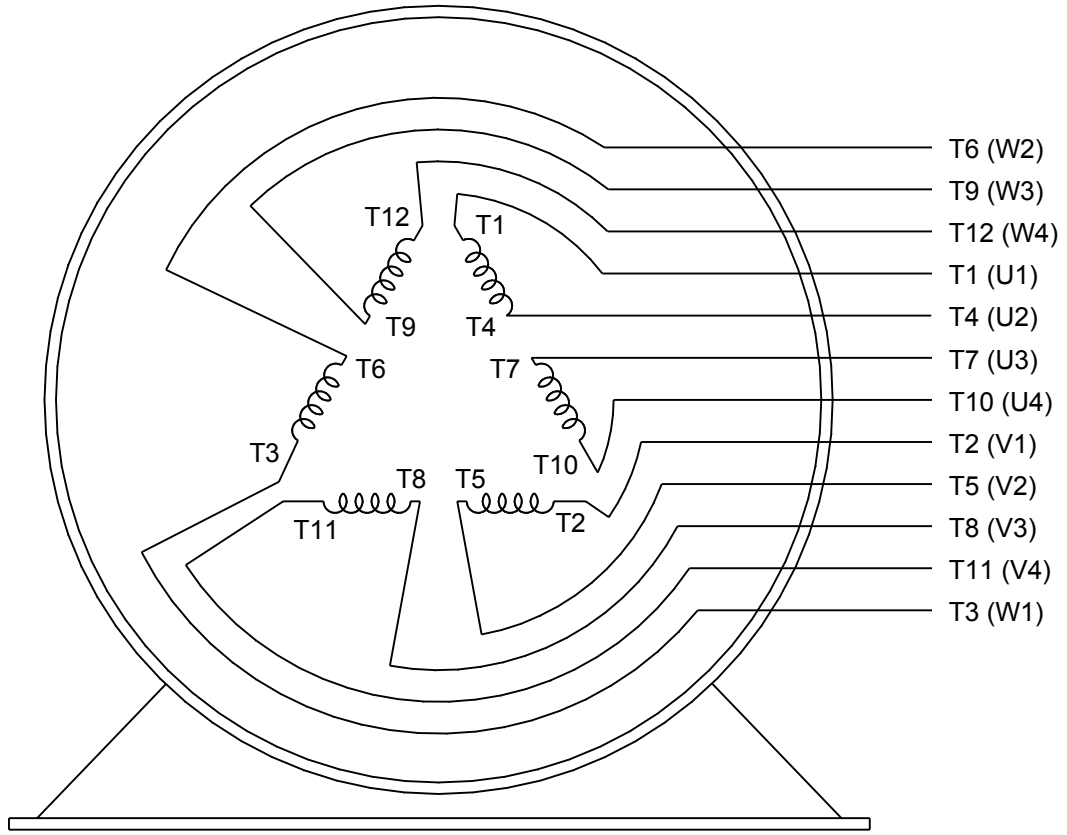
TOLERANCES UNLESS SPECIFIED		REGAL-BELOIT CORPORATION		DRAWN VY 05-23-2012		
DEC.	INCHES	CHK	ZYH	05-23-2012	APPD	
.X	±.1				WGH	
.XX	±.03				05-23-2012	
.XXX	±.005				1=7	
.XXXX	±.0005				REF	
NO.	REVISION	BY & DATE	CHK	ANG	FINISH	
THIS DRAWING IN DESIGN AND DETAIL IS OUR PROPERTY AND MUST NOT BE USED EXCEPT IN CONNECTION WITH OUR WORK. ALL RIGHTS OF DESIGN AND INVENTION ARE RESERVED. THIS IS AN ELECTRONICALLY GENERATED DOCUMENT - DO NOT SCALE THIS PRINT.		RFP	CAD FILE	SS620566	SIZE	DRAWING NO.
		DIST			B	SS620566
						REV.



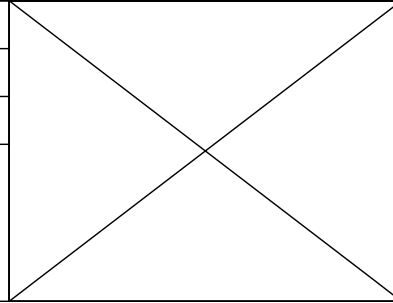
LOW VOLTAGE



HIGH VOLTAGE



DRAWING REVISION K	REVISION BY AJW	DATE 07-17-2015
ECO ECO-0081632	APPROVED BY T. VUE	DATE 07-17-2015
ECO DESCRIPTION REV'D IEC MARKINGS PER IEC 60034-8		
COPYRIGHT REGAL BELOIT AMERICA, INC. ALL RIGHTS RESERVED. PROPRIETARY AND CONFIDENTIAL INFORMATION - THIS DOCUMENT IS THE PROPERTY OF REGAL BELOIT AMERICA, INC. ("OWNER") AND CONTAINS OWNER'S PROPRIETARY INFORMATION. ANY PERSON, CORPORATION OR OTHER FIRM RECEIVING IT IS DEEMED, BY RECEIVING IT, TO AGREE THAT IT, AND/OR ANY PART OF IT, SHALL NOT BE DISCLOSED TO ANY PERSON, CORPORATION OR OTHER ENTITY, DUPLICATED, AND/OR USED, EXCEPT AS EXPRESSLY APPROVED IN WRITING IN ADVANCE BY OWNER. THIS DOCUMENT SHALL BE RETURNED TO OWNER UPON REQUEST. IT MAY BE SUBJECT TO CERTAIN RESTRICTIONS UNDER APPLICABLE EXPORT CONTROL LAWS AND REGULATIONS.		



DRAWN BY LZ
DATE 01-12-1994
APPROVED BY GK
DATE 01-14-1994
REFERENCE
THIRD ANGLE PROJECTION

Regal Beloit America, Inc.	
CONN DIAGRAM-EXTERNAL 3Ø-2/1 DELTA-12 LEADS	
MATERIAL	PROCESS/FINISH
SIZE A	DRAWING NUMBER EE7308AA
SHEET 1 OF 1	

** Subject to change without notice.

Data Sheet

Date: 19-06-2017
 Customer: _____
 Attention: _____
 Submitted by: FAREEDA DUDEKULA



326TFCA6082

Submittal

Data @ 460 V

Motor Load Data

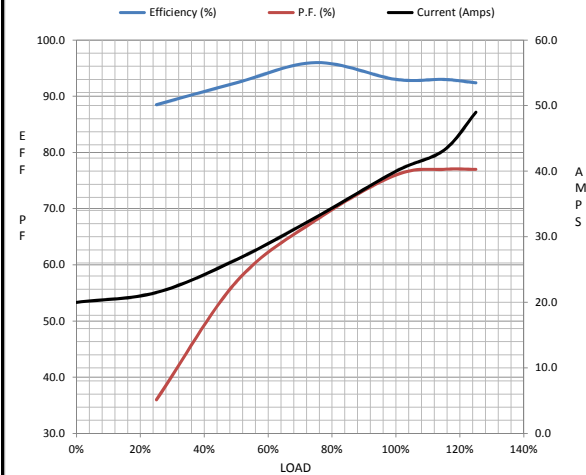
Load	0%	25%	50%	75%	100%	115%	125%	LR
Current (Amps)	20.0	21.5	26.5	33.0	40.0	43.2	49.0	217
Torque (ft-lb)	0.00	33.0	66.0	99.5	133	153	166	358
RPM	1200	1197	1195	1190	1185	1,182	1180	0
Efficiency (%)		88.5	92.4	96.0	93.0	93.0	92.4	
P.F. (%)	4.0	36.0	57.0	68.0	76.0	77.0	77.0	37.0

Motor Speed Data

	LR	Pull-Up	BD	Rated	Idle
Speed (RPM)	0	600	1125	1185	1200
Current (Amps)	217	195	145	40.0	20.0
Torque (ft-lb)	358	300	478	133	0.00

Information Block

HP	30.0			
Sync. RPM	1200			
Frame	326			
Enclosure	TEFC			
Construction	TFC			
Voltage	30/460#190/38V			
Frequency	60 Hz			
Design	B			
LR Code letter	G			
Service Factor	1.15			
Temp Rise @ FL	70 ° C			
Duty	CONT			
Ambient	40 ° C			
Elevation	1,000 feet			
Rotor/Shaft wk ²	12.8 Lb-Ft ²			
Ref Wdg	CHT32660001 NONE			
Sound Pressure @ 1M	58 dBA			
VFD Rating	CONSTANT 10:1			
Outline Dwg	SS620566			
Conn. Diag	EE7308AA			
Additional Specifications:				
0				
365THFS8036				
EQUIV CKT (OHMS / PHASE)				
R1	R2	X1	X2	Xm
0.1520	0.0720	0.5480	1.2220	13.1920



Speed -Torque Curve

